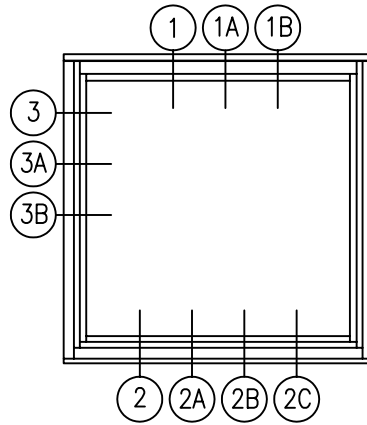
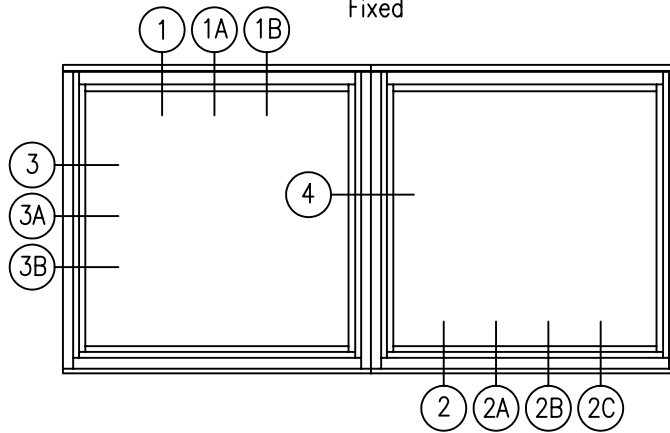


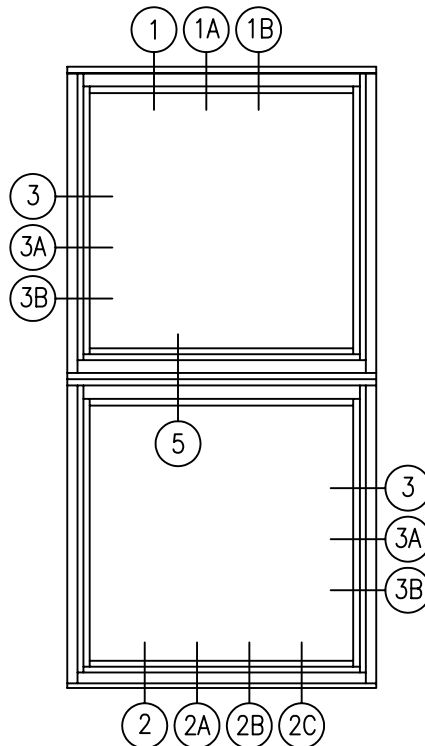
SCALE: NONE



Fixed



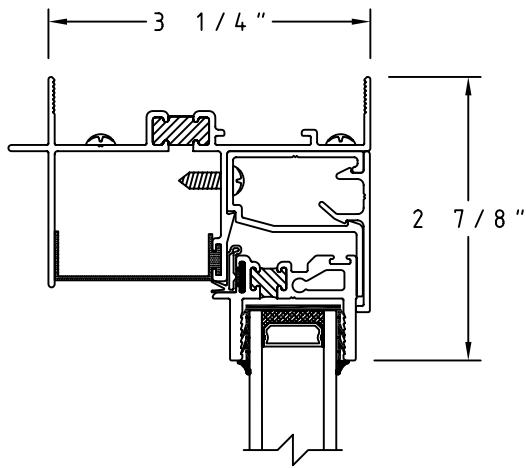
Fixed/Fixed
With H Mullion



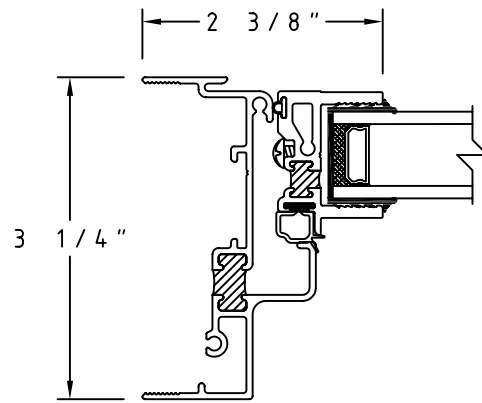
Fixed Over Fixed
With H Mullion

All Elevations are viewed outside looking IN.

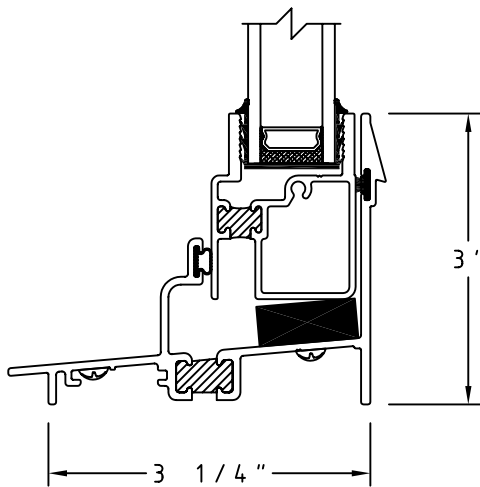
SCALE: HALF



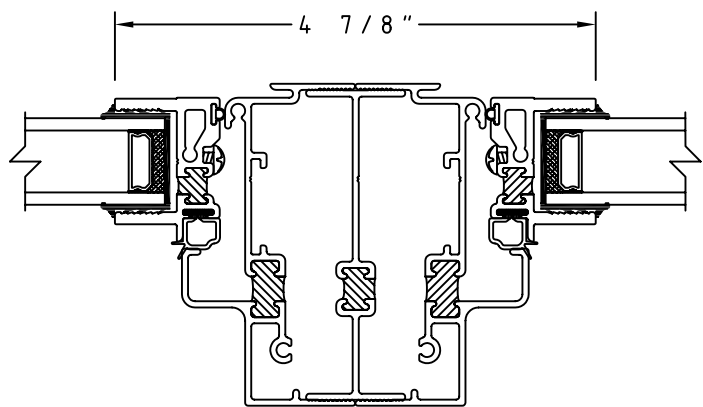
① Fixed Head Detail



③ Fixed Jamb Detail

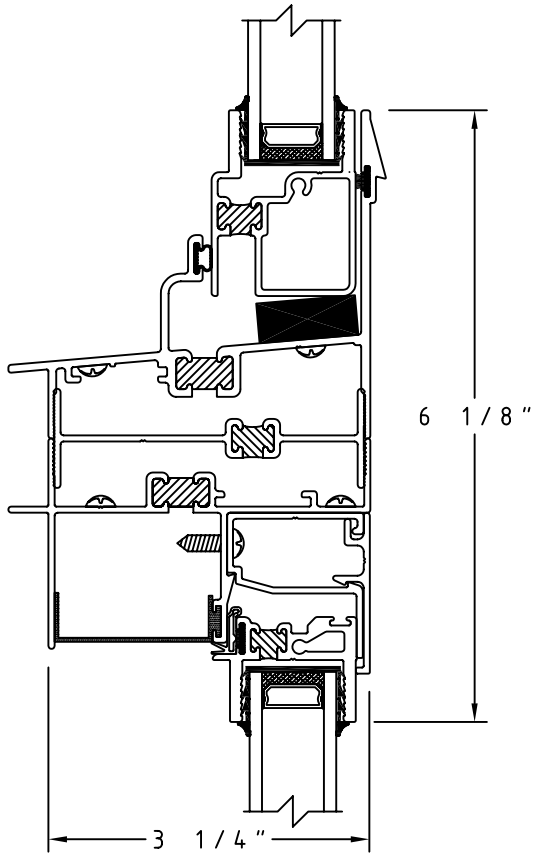


② Fixed Low Sill Detail

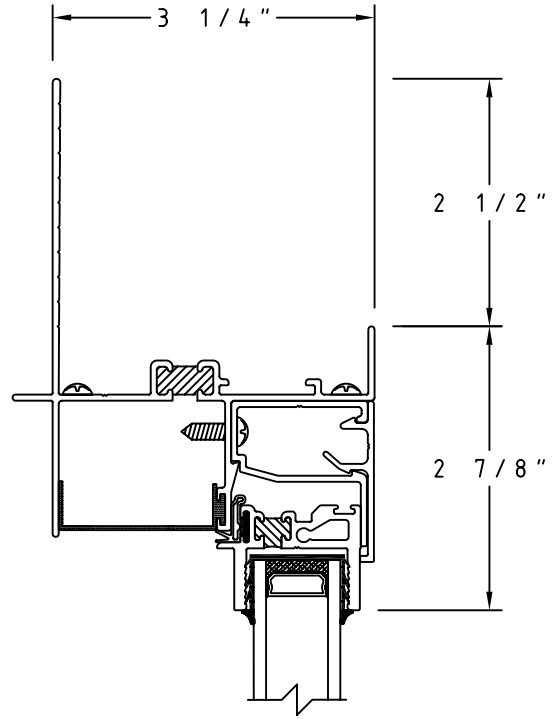


④ Fixed/Fixed Vertical H Mullion Detail

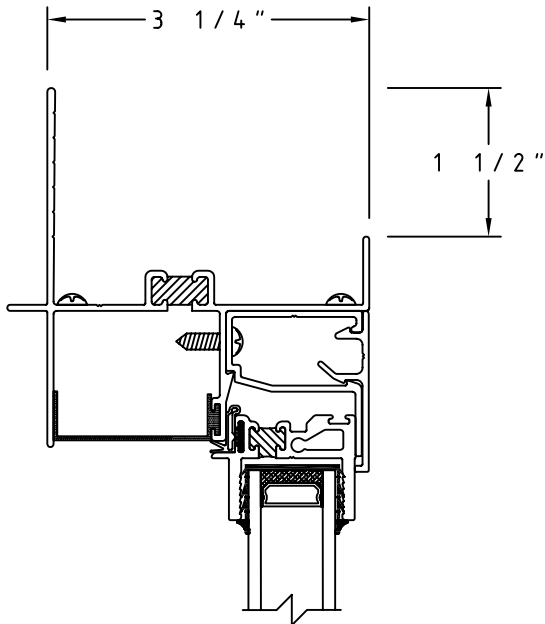
SCALE: HALF



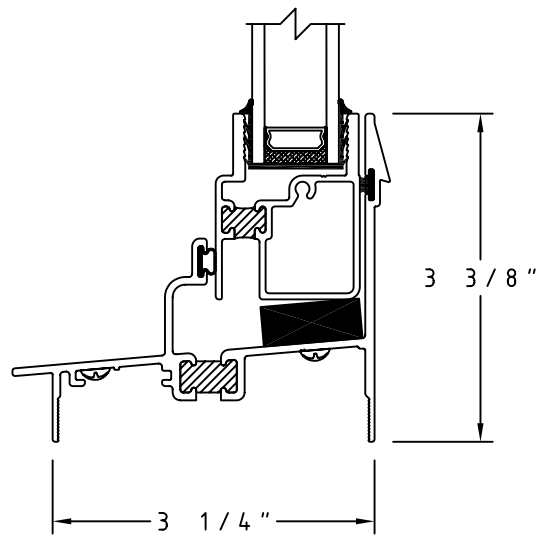
⑤ Fixed/Fixed Horizontal H Mullion Detail



①B 2 1/2" Flange Frame Fixed Head Detail

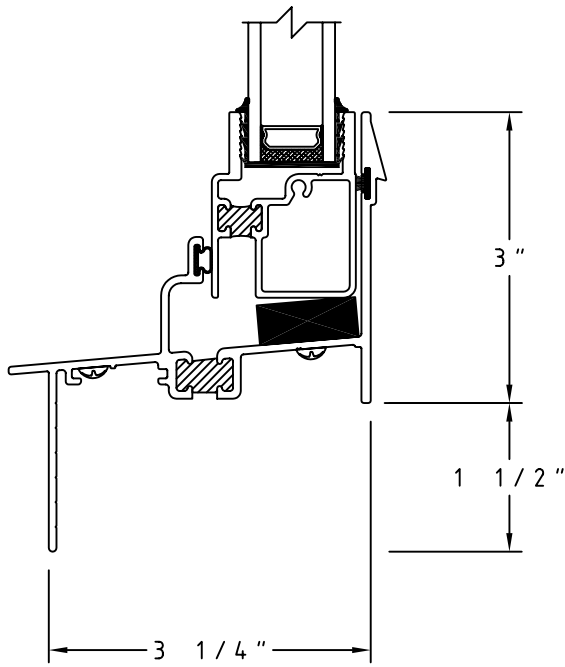


①A 1 1/2" Flange Frame Fixed Head Detail

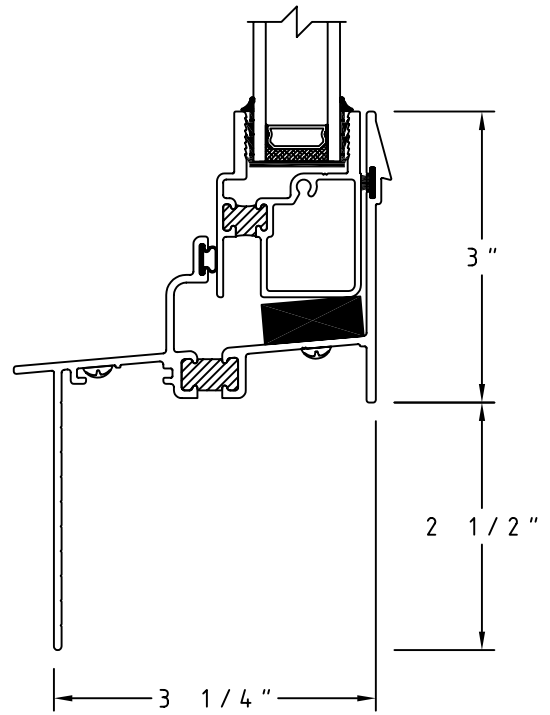


②A Fixed High Sill Detail

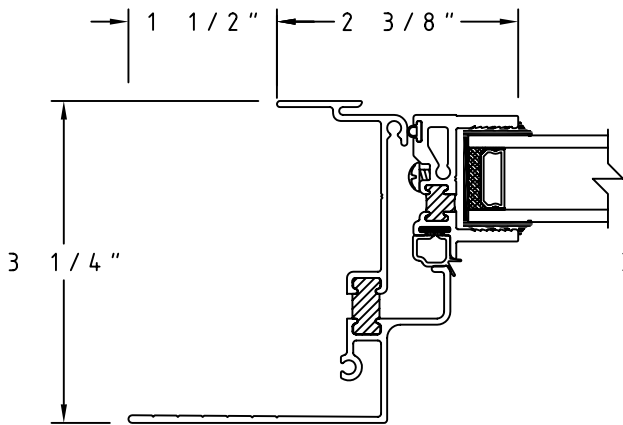
SCALE: HALF



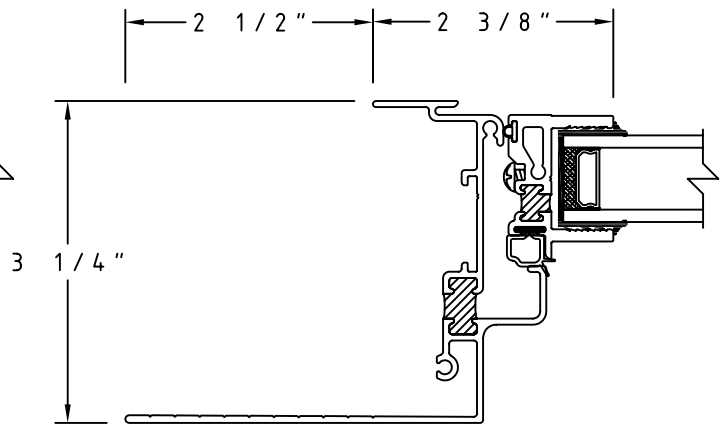
2B 1 1/2" Flange Frame Fixed Sill Detail



2C 2 1/2" Flange Frame Fixed Sill Detail



3A 1 1/2" Flange Frame Fixed Jamb Detail



3B 2 1/2" Flange Frame Fixed Jamb Detail